

| QTY | DESCRIPTION | PART NO | FIG. 1 | FIG. 2 | FIG. 3 |
|-----|--|-----------|--------|--------|--------|
| 1 | 1 1/4 HP - 25 & 50 Hz / 1425 RPM MOTOR | | | 1 | |
| 1 | 1 1/4 HP - 60 Hz / 1725 RPM MOTOR | | 1 | | |
| 3 | 3/8 PLAIN WASHER | | 4 | 4 | 4 |
| 4 | 3/8 LOCKWASHER | | 4 | 4 | 4 |
| 4 | 3/8 - 16 HEX NUT | | 4 | 4 | 4 |
| 4 | 3/8 - 16 x 1 3/4 LG. HEX HD. SCREW | | 4 | 4 | 4 |
| 1 | 1" x 2" LG. NIPPLE | | 1 | 1 | 1 |
| 1 | 1/4 x 4" LG. NIPPLE | | 1 | 1 | 1 |
| 1 | 1" V-B VERTICAL PUMP ASS'Y | 65-181-11 | 1 | 1 | 1 |
| 1 | SHEAVE-AZ40 - 3/4 BORE 3/16 KW | | 1 | 1 | 2 |
| 1 | BELT-4L300 | | 1 | 1 | 1 |
| 1 | SHEAVE-AZ35 *BORE 3/16 KW | | 1 | | |
| 1 | SHEAVE-AZ42 *BORE 3/16 KW | | | 1 | |

65-190-20 R-PUMP W/ MOTOR MT'D ON RIGHT SIDE

65-190-20 L-PUMP W/ MOTOR MT'D AS SHOWN

FIG. 3 FOR 60 Hz. MOTOR - 1725 RPM
 FIG. 2 FOR 25 & 50 Hz. MOTOR - 1520 RPM
 FIG. 1 FOR 60 Hz. MOTOR - 1495 RPM

ORDER NO. 1 SIMILAR TO:

TITLE: 1" V-B VERTICAL PUMP UNIT ASS'Y

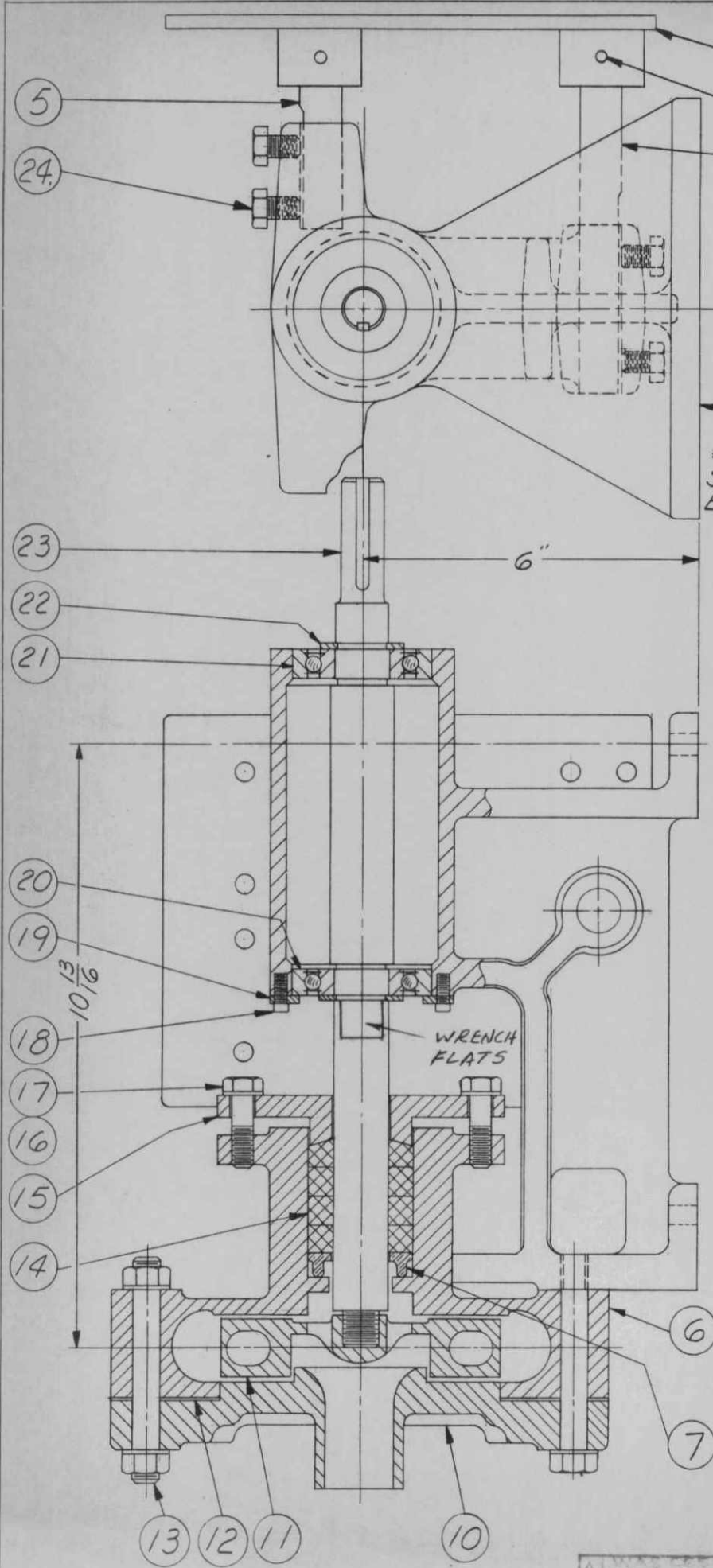
NOTE: THIS DRAWING AND DESIGN INCLUDING ALL DETAIL AND PATENTABLE FEATURES SEPARATELY OR COLLECTIVELY DISCLOSED AND INCLUDED THEREIN ARE THE PROPERTY OF THE VAPOR-BLAST MFG. CO. AND ARE NOT TO BE COPIED OR USED DIRECTLY OR INDIRECTLY BY ANYBODY WITHOUT THE WRITTEN CONSENT OF SAID COMPANY. THIS DRAWING IS LOANED SUBJECT TO RETURN TO SAID COMPANY UPON THEIR DEMAND. VAPOR-BLAST MFG. CO.

ENGINEERS & MILW. 53209 MANUFACTURERS WIS., U. S. A.

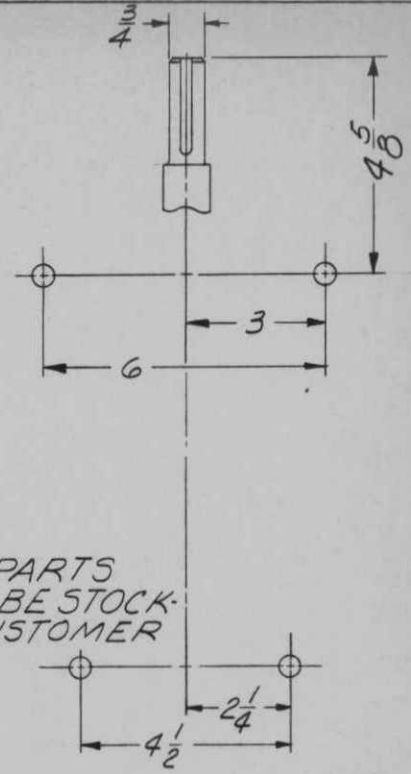
DRAWN & DATE: RWP 11-27-83 CHECKED: APPR: SCALE: NONE

SUPERSEDES: A65-190-15 DWG. NO. A65-190-20

USED ON: SUPERSEDED BY:



*WEAR PARTS SHOULD BE STOCKED BY CUSTOMER



MOUNTING DIMENSIONS

| REF. NO. | NO. PCS. | DESCRIPTION | DWG. NO. |
|----------|----------|-----------------------------|-----------|
| 1 | 1 | MOTOR MTG. BASE | B65-183-1 |
| 2 | 2 | SEL-LOK SPRING PIN | 33-42 |
| 3 | 1 | SUPPORT SHAFT | A65-184 |
| 4 | 1 | FRAME | 65-182-4 |
| 5 | 1 | SUPPORT SHAFT | A65-185 |
| * | 1 | HOUSING | D65-86-3 |
| 7 | 1 | LANTERN | A65-19 |
| 8 | 5 1/2 | 13 HEX NUT | |
| 9 | 5 1/2 | LOCKWASHER | |
| * | 1 | WEAR PLATE | C65-85-1 |
| * | 1 | IMPELLER | C65-339 |
| 12 | 1 | GASKET | 88-101 |
| 13 | 4 | STUD | A93-249 |
| * | 1 | PACKING ASSEM | 88-913 |
| 15 | 1 | FOLLOWER | A93-250 |
| 16 | 2 | 3/8-16 x 1 1/2 LG. H.H.C.S. | |
| 17 | 2 | 3/8 LOCKWASHER | |
| 18 | 4 | *10-24 x 1/2 LG. S.H.C.S. | |
| 19 | 1 | RETAINER RING | A65-287 |
| 20 | 1 | BEARING (LOWER) | 93-519 |
| 21 | 1 | BEARING (UPPER) | 93-478 |
| 22 | 2 | RING TRUARC #5160-98 | |
| * | 1 | SHAFT | B93-215 |
| 24 | 4 | 3/8-16 x 3/4 LG. H.H.C.S. | |

ORDER NO. _____ SIMILAR TO: _____

TITLE: **1" VERTICAL VAPOR BLAST PUMP**

NOTE: THIS DRAWING AND DESIGN INCLUDING ALL NOVEL AND PATENTABLE FEATURES SEPARATELY OR COLLECTIVELY INCORPORATED AND INCLUDED THEREIN ARE THE PROPERTY OF THE VAPOR-BLAST MFG. CO. AND ARE NOT TO BE COPIED OR USED DIRECTLY OR INDIRECTLY BY ANY OTHER INDIVIDUAL OR COMPANY WITHOUT THE WRITTEN CONSENT OF SAID COMPANY. THIS DRAWING IS LOANED SUBJECT TO RETURN TO SAID COMPANY UNDER THEIR BRAND, VAPOR-BLAST MFG. CO.

VAPOR-BLAST MFG. CO.

ENGINEERS & MANUFACTURERS
MILW. 53209 WIS., U.S.A.

DRAWN & DATE: RWP 11-27-83 CHECKED: APPR: SCALE: _____

SUPERSEDED BY: A65-181-7 DWG. NO. A65-181-11

USED ON: _____

REVISIONS